

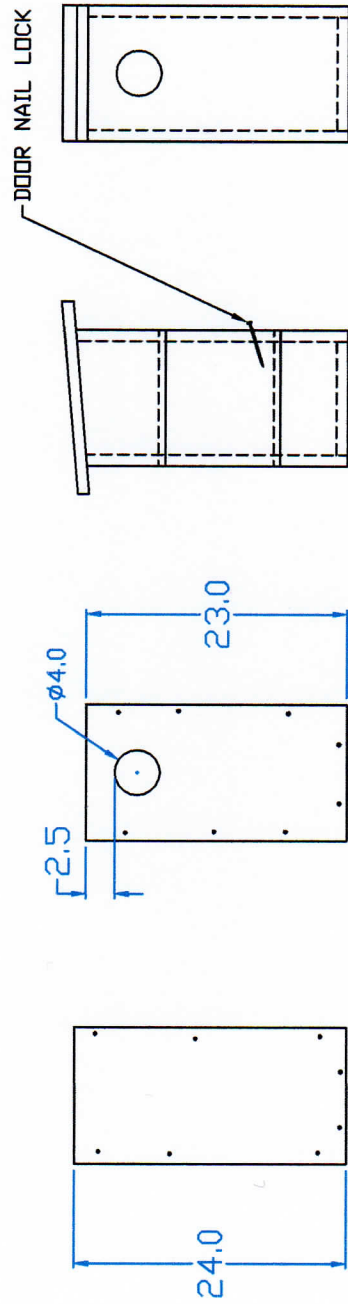
SIDE 2 THREE PIECES

BOTTOM

TOP

SIDE 1

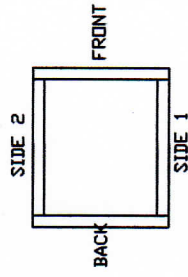
SIDE 2



BACK

FRONT

SIDE & FRONT VIEW ASSEMBLY DONE



BOTTOM VIEW

NOTES : THE BASE MATERIAL IS CYPRESS WOOD, ROUGH 1" X 12", AT LEAST 12 FEET LONG.

*#9 X 3" LONG EXTERIOR SCREWS SHOULD BE USED TO ASSEMBLE THE UNIT.

*THE DOOR NEEDS TO HAVE THE ANGLE TO AVOID THE WATER FROM FLOODING INTO THE BOX < ANGLE CAN BE 30 DEG. >

*A SINGLE 20 PENNY NAIL CAN BE USED AS A LOCKING DEVICE FOR THE DOOR

*THE 4" HOLE NEEDS TO BE SMOOTH AND CLEAR OF ALL SPLINTERS TO AVOID HURTING THE DUCK

*2 OF THE ASSEMBLY SCREWS CAN BE USED TO MAKE THE HINGES FOR THE DOOR.

*CYPRESS WILL SPLIT SO PRE DRILL ALL SCREW HOLES

*THE BOTTOM NEEDS TO HAVE 5 TO 8 HOLES DRILLED THRU SO THAT WATER CAN DRAIN FROM THE BOX.